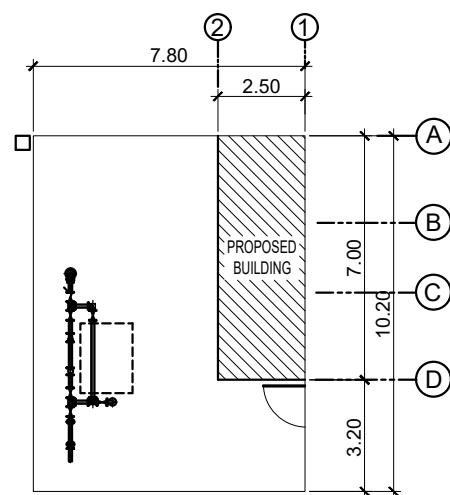


This design or drawing is the sole property of Calamba Water District. No part of this design or drawing may be reproduced or transmitted in any form or by any means without the written consent of its owner.



PERSPECTIVE



SITE DEVELOPMENT PLAN

SCALE 1:100 m.

- NOTES:
1. ALL SIZES AND LOCATIONS ARE SUBJECT TO CHANGE TO SUIT FIELD CONDITIONS.
 2. THE DESIGNER SHALL NOT BE LIABLE FOR ANY ALTERATION/ REVISION ON THE PLANS/ DRAWINGS AND SPECIFICATIONS IMPROVED BY THE AUTHORIZED SUPERVISING ENGINEER DONE WITHOUT THEIR KNOWLEDGE THAT MAY IMPAIR THE STRENGTH OF THE PROJECT.

TABLE OF CONTENTS

COVER SHEET (CS):
PERSPECTIVE
SITE DEVELOPMENT PLAN
LOCATION PLAN

ARCHITECTURAL 1 (A1):
EXISTING FLOOR PLAN
PROPOSED FLOOR PLAN
FRONT ELEVATION
REAR ELEVATION
LEFT SIDE ELEVATION
RIGHT SIDE ELEVATION

ARCHITECTURAL 2 (A2):
CROSS SECTION
LONGITUDINAL SECTION
SCHEDULE OF DOORS
& WINDOWS

STRUCTURAL 1 (S1):
FOUNDATION PLAN
SCHEDULE OF FOOTINGS

STRUCTURAL 2 (S2):
ROOF DECK FRAMING PLAN
DETAIL OF BEAMS
DETAIL OF SLAB
DETAIL OF STEEL GATE

STRUCTURAL 3 (S3):
DETAIL OF UV ENCLOSURE

PLUMBING 1 (P1):
SEWER LAYOUT

ELECTRICAL 1 (E1):
ELECTRICAL LAYOUT
SCHEDULE OF LOADS
DETAIL OF PANELBOARD
SINGLE LINE DIAGRAM

ELECTRICAL 2 (E2):
SERVICE ENTRANCE POST DETAIL
GENERAL NOTES
ELECTRICAL LEGEND

MECHANICAL 1 (M1):
MECHANICAL LAYOUT
DETAIL OF DISCHARGE PIPE
CHLORINATION PUMP DETAIL

SPECIALTIES:
PROPOSED PORTALET
SIGNAGE DETAIL
TABLE DETAIL
HANGING WOOD CABINET DETAIL

REPUBLIC OF THE PHILIPPINES
DEPARTMENT of PUBLIC WORKS
TRANSPORTATION and
COMMUNICATION
OFFICE OF THE BUILDING OFFICIAL

DISTRICT / CITY / MUNICIPALITY

LAND USE & ZONING

LINE & GRADE

ARCHITECTURAL

STRUCTURAL

MECHANICAL

ELECTRICAL

PLUMBING

CALAMBA WATER DISTRICT
ENGINEERING DEPARTMENT
PLANNING AND DESIGN DIVISION

LAKEVIEW SUBD., HALANG, CALAMBA CITY

PROJECT TITLE:

PROPOSED RENOVATION OF
PUMPING STATION

LOCATION: VILLA DE CALAMBA , CALAMBA CITY

DRAWN BY: A. L. DEL PRADO

DESIGNED BY: A. L. DEL PRADO

RECOMMENDED BY: ENGR. J. A. GILLERA

APPROVED BY: MR. E. A. AGUILAR

SHEET CONTENTS:

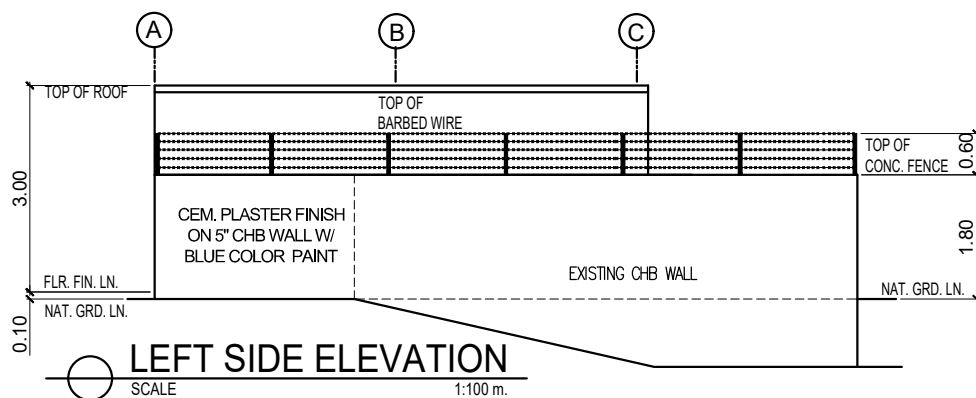
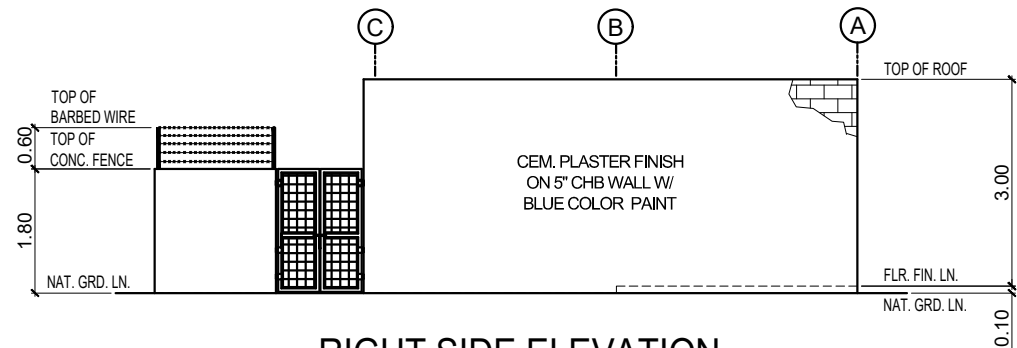
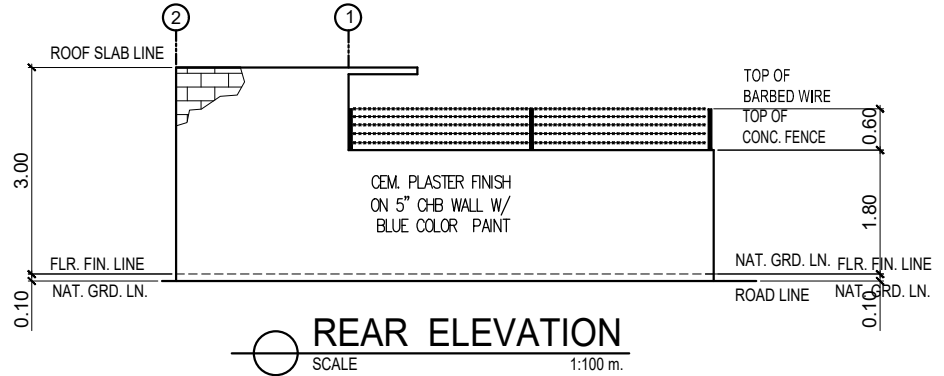
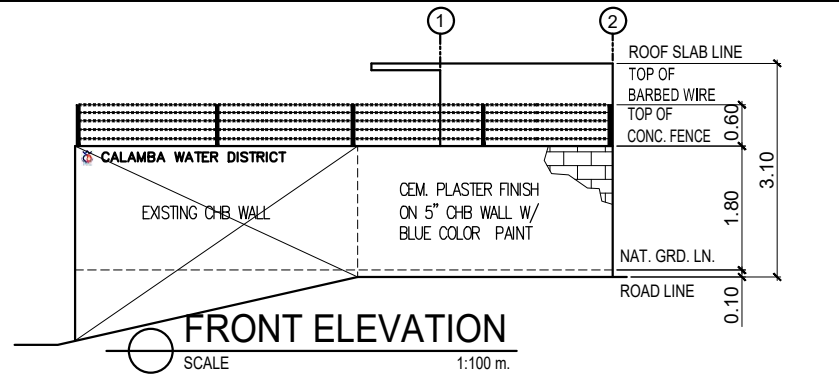
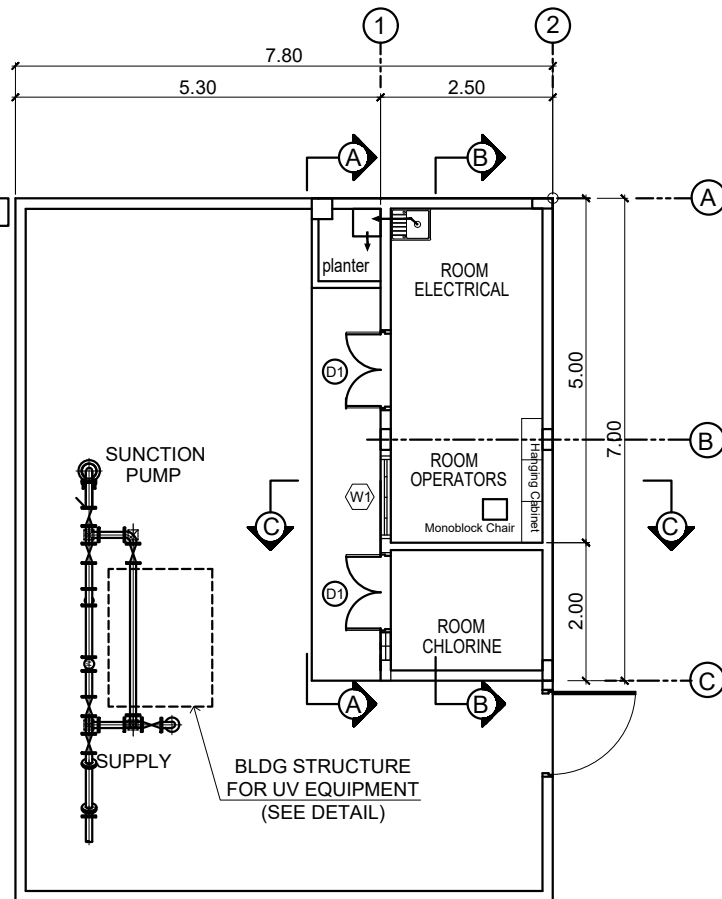
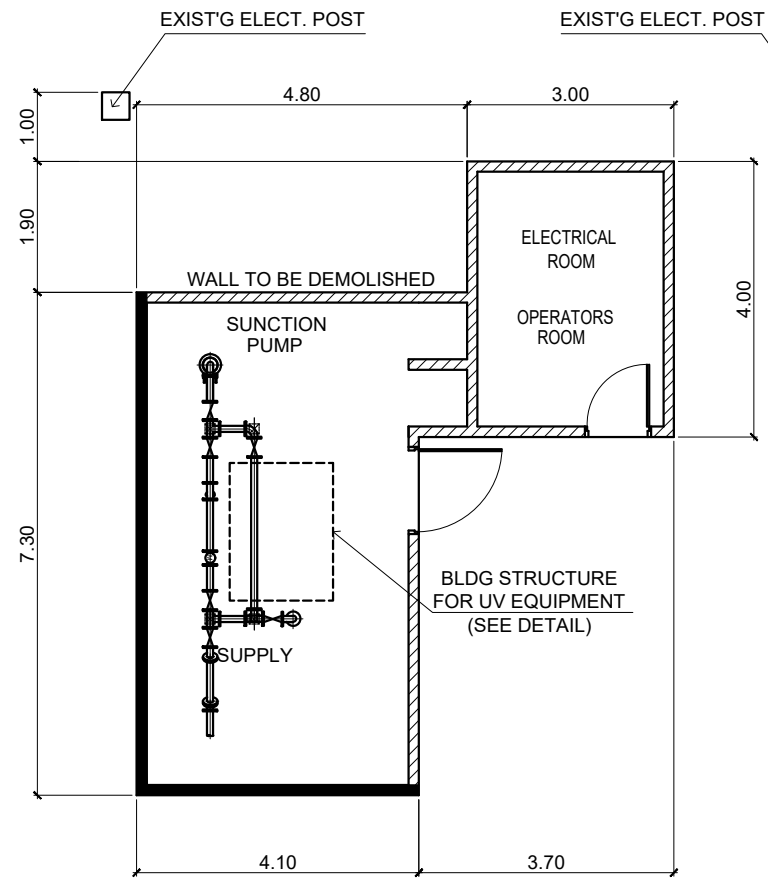
AS SHOWN

DATE: 03/30/2020

SHEET NO.

CS

This design or drawing is the sole property of Calamba Water District. No part of this design or drawing may be reproduced or transmitted in any form or by any means without the written consent of its owner.



EXIST'G FLOOR PLAN
SCALE 1:100 m.

PROPOSED FLOOR PLAN
SCALE 1:100 m.

— WALL TO BE RETAINED
 - - - WALL TO BE DEMOLISHED

NOTES:
 1. ALL SIZES AND LOCATIONS ARE SUBJECT TO CHANGE TO SUIT FIELD CONDITIONS.
 2. THE DESIGNER SHALL NOT BE LIABLE FOR ANY ALTERATION/ REVISION ON THE PLANS/ DRAWINGS AND SPECIFICATIONS IMPROVED BY THE AUTHORIZED SUPERVISING ENGINEER DONE WITHOUT THEIR KNOWLEDGE THAT MAY IMPAIR THE STRENGTH OF THE PROJECT.



CALAMBA WATER DISTRICT
 ENGINEERING DEPARTMENT
 PLANNING AND DESIGN DIVISION

LAKEVIEW SUBD., HALANG, CALAMBA CITY

PROJECT TITLE:

PROPOSED RENOVATION OF PUMPING STATION

LOCATION: **VILLA DE CALAMBA, CALAMBA CITY**

DRAWN BY: **A. L. DEL PRADO**

DESIGNED BY: **A. L. DEL PRADO**

RECOMMENDED BY: **ENGR. J. A. GILLERA**

APPROVED BY: **MR. E. A. AGUILAR**

SHEET CONTENTS:

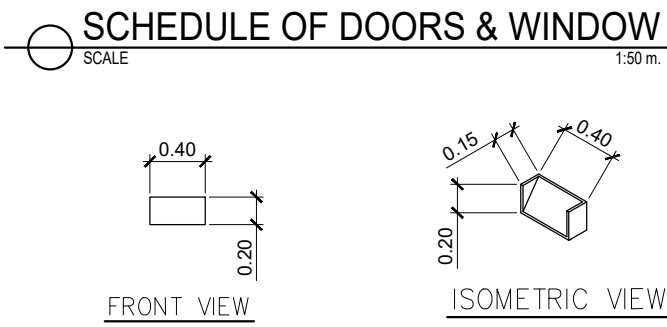
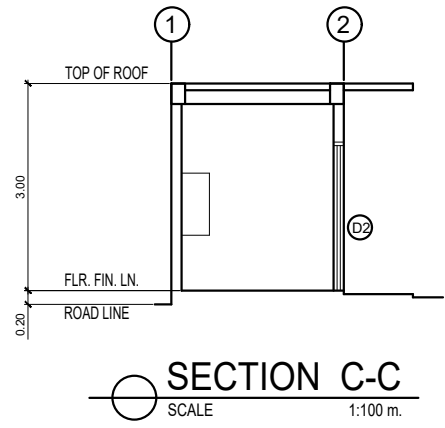
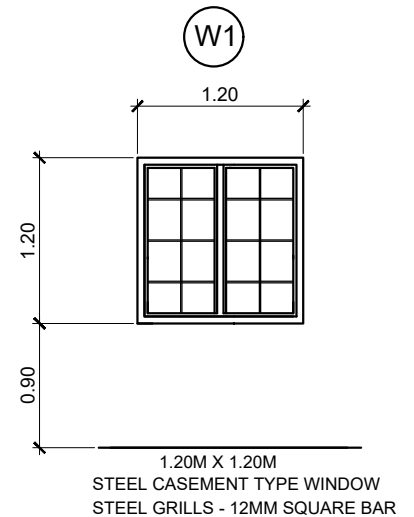
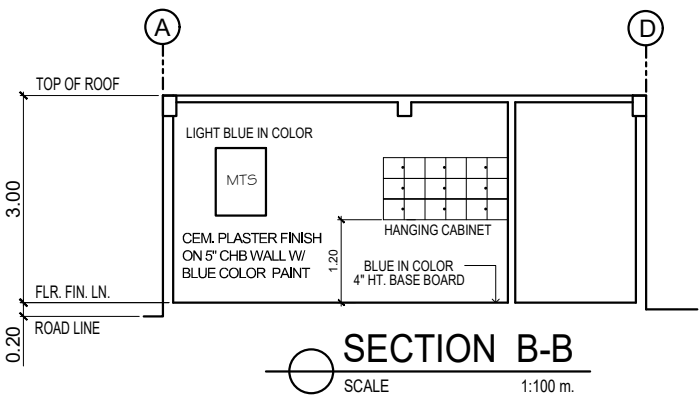
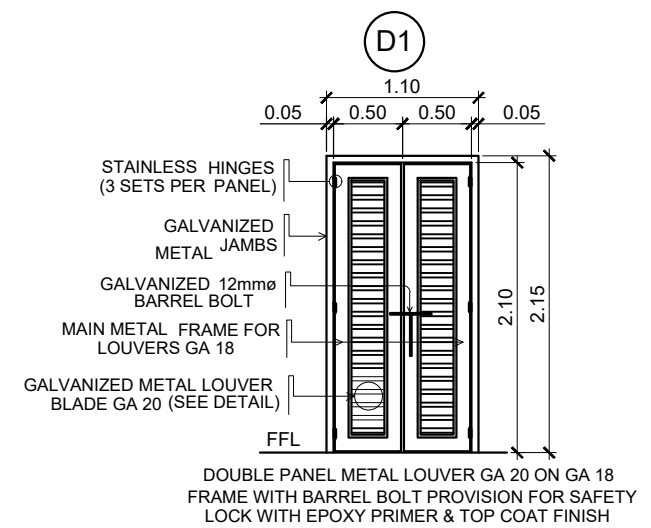
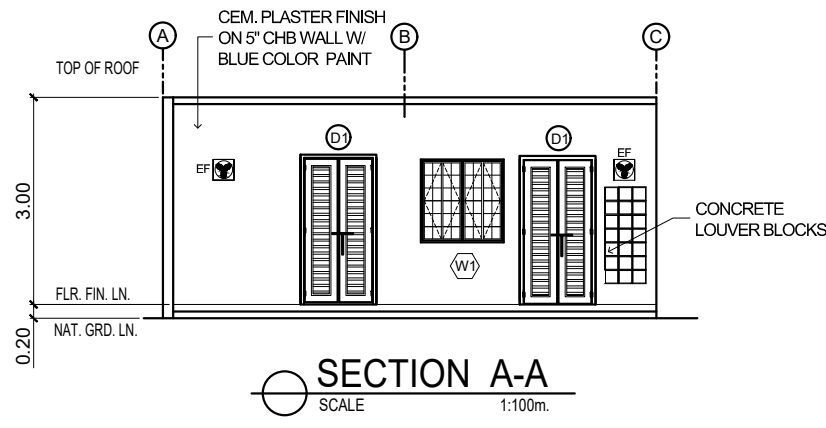
AS SHOWN

DATE: **03/30/2020**

SHEET NO.


A-1

This design or drawing is the sole property of Calamba Water District. No part of this design or drawing may be reproduced or transmitted in any form or by any means without the written consent of its owner.

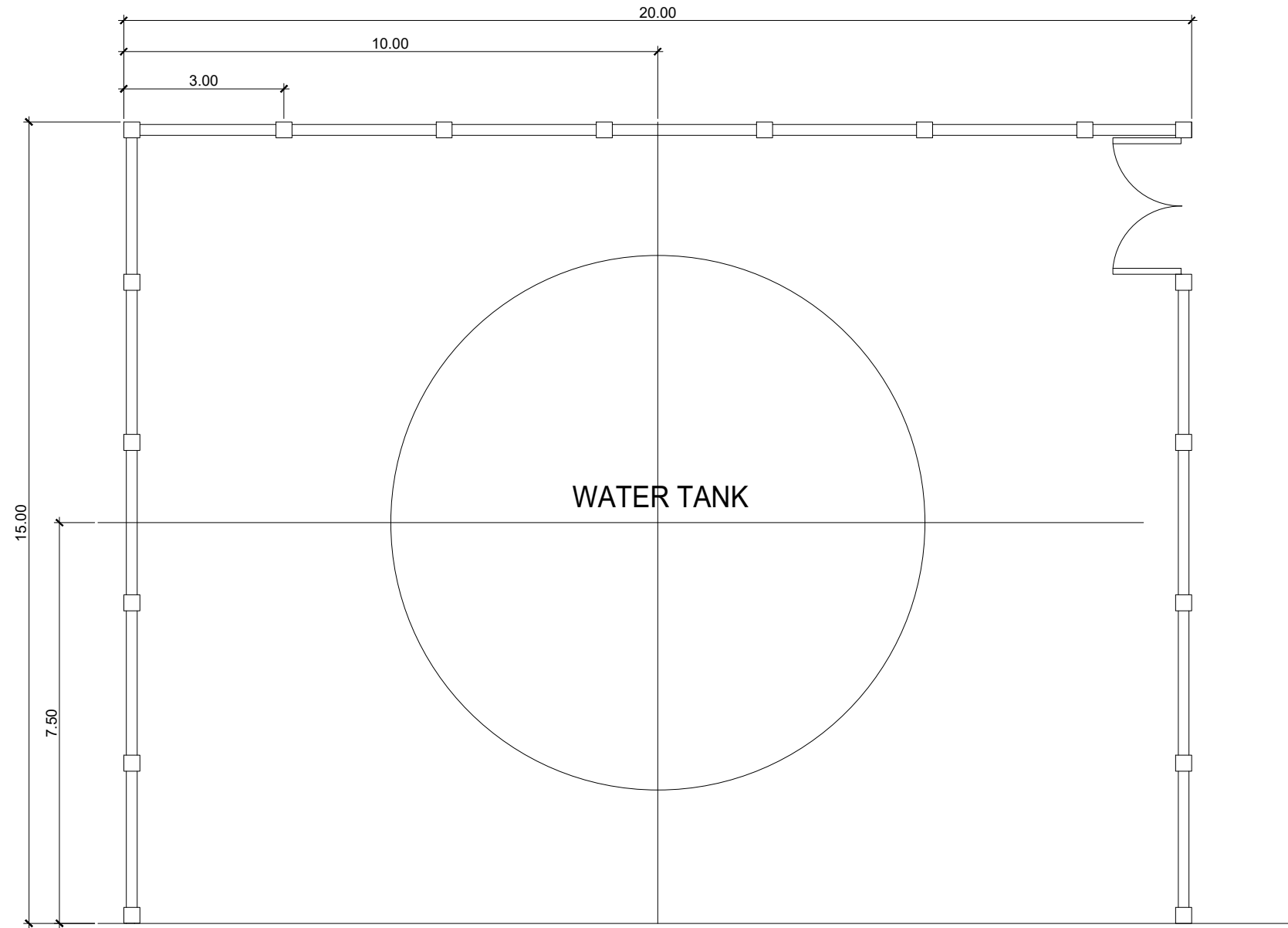


DETAIL OF CONCRETE LOUVER

NOTES:
 1. ALL SIZES AND LOCATIONS ARE SUBJECT TO CHANGE TO SUIT FIELD CONDITIONS.
 2. THE DESIGNER SHALL NOT BE LIABLE FOR ANY ALTERATION/ REVISION ON THE PLANS/ DRAWINGS AND SPECIFICATIONS IMPROVED BY THE AUTHORIZED SUPERVISING ENGINEER DONE WITHOUT THEIR KNOWLEDGE THAT MAY IMPAIR THE STRENGTH OF THE PROJECT.

 CALAMBA WATER DISTRICT ENGINEERING DEPARTMENT PLANNING AND DESIGN DIVISION LAKEVIEW SUBD., HALANG, CALAMBA CITY	PROJECT TITLE:	DRAWN BY: A. L. DEL PRADO	SHEET CONTENTS:	DATE: 03/30/2020
	PROPOSED RENOVATION OF PUMPING STATION LOCATION: VILLA DE CALAMBA, CALAMBA CITY	DESIGNED BY: A. L. DEL PRADO	RECOMMENDED BY: ENGR. J. A. GILLERA	AS SHOWN
		APPROVED BY: MR. E. A. AGUILAR		A-2

This design or drawing is the sole property of Calamba Water District. No part of this design or drawing may be reproduced or transmitted in any form or by any means without the written consent of its owner.

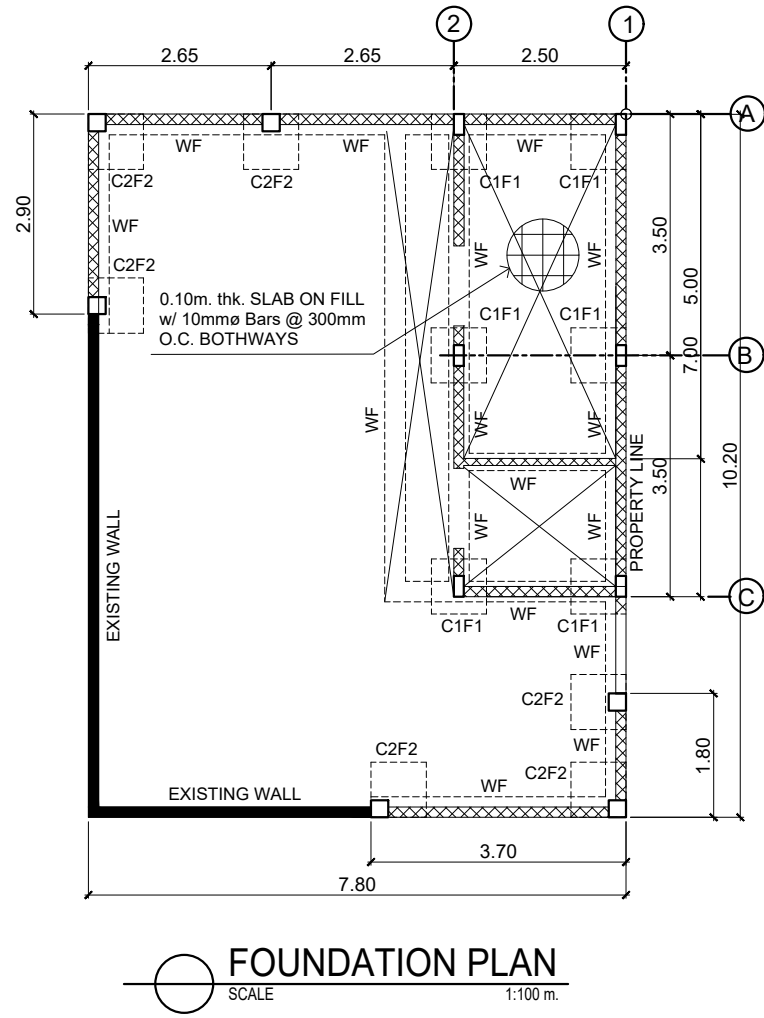


FLOOR PLAN
 SCALE 1:50 m.

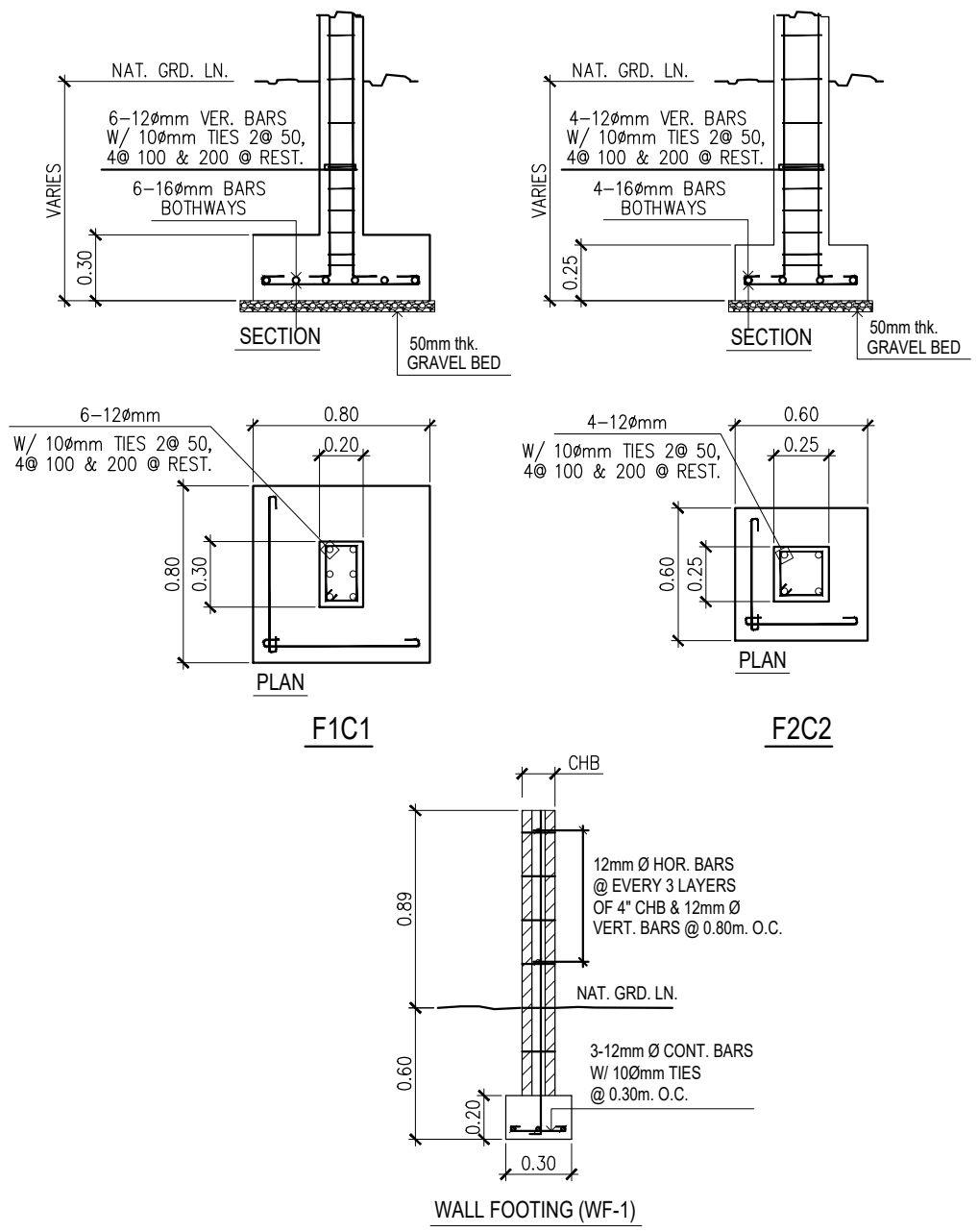
NOTES:
 1. ALL SIZES AND LOCATIONS ARE SUBJECT TO CHANGE TO SUIT FIELD CONDITIONS.
 2. THE DESIGNER SHALL NOT BE LIABLE FOR ANY ALTERATION/ REVISION ON THE PLANS/ DRAWINGS AND SPECIFICATIONS IMPROVED BY THE AUTHORIZED SUPERVISING ENGINEER DONE WITHOUT THEIR KNOWLEDGE THAT MAY IMPAIR THE STRENGTH OF THE PROJECT.

 CALAMBA WATER DISTRICT ENGINEERING DEPARTMENT PLANNING AND DESIGN DIVISION <small>24/7 Public Service</small>	PROJECT TITLE:	DRAWN BY: A. L. DEL PRADO	SHEET CONTENTS:	DATE: 07/16/2021
	PROPOSED PERIMETER FENCE OF WATER TANK	DESIGNED BY: A. L. DEL PRADO	FLOOR PLAN	SHEET NO.
	LOCATION: Villa de Calamba, Calamba City, Laguna	RECOMMENDED BY: ENGR. J. A. GILLERA		A-1
LAKEVIEW SUBD., HALANG, CALAMBA CITY		APPROVED BY: MR. E. A. AGUILAR JR.		

This design or drawing is the sole property of Calamba Water District. No part of this design or drawing may be reproduced or transmitted in any form or by any means without the written consent of its owner.




FOUNDATION PLAN
SCALE 1:100 m.

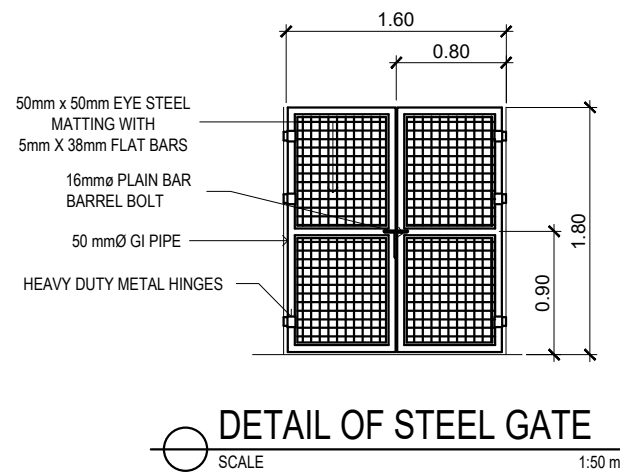
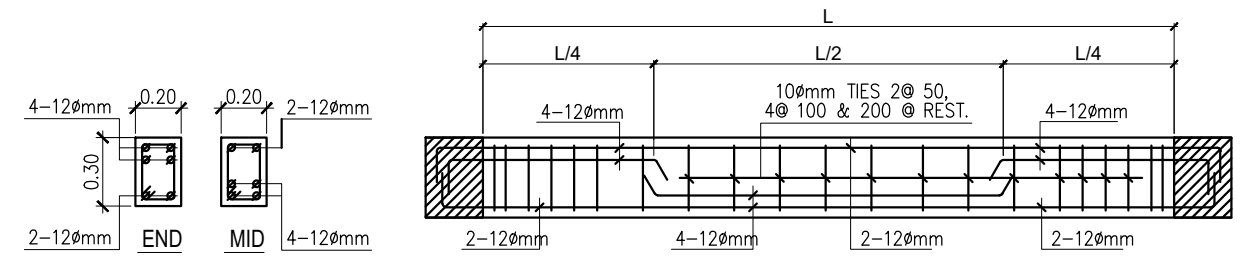
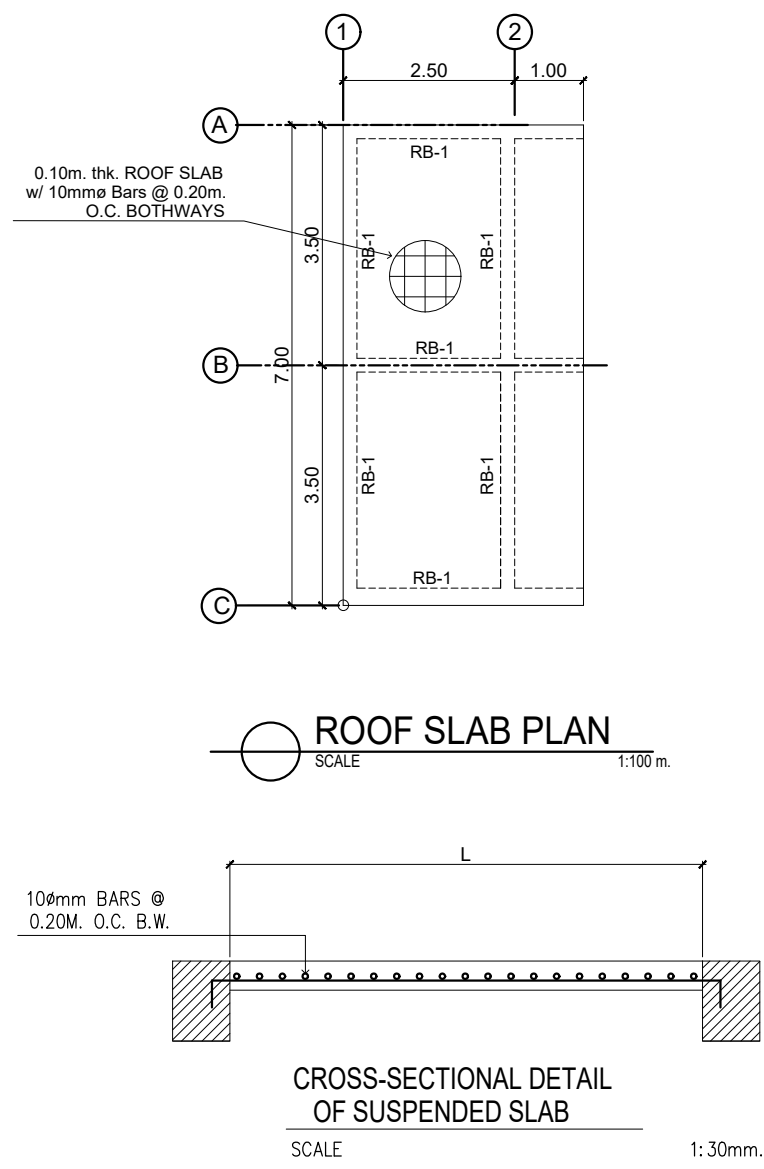


DETAIL OF FOOTINGS
SCALE 1:30m.


- NOTES:
 1. ALL SIZES AND LOCATIONS ARE SUBJECT TO CHANGE TO SUIT FIELD CONDITIONS.
 2. THE DESIGNER SHALL NOT BE LIABLE FOR ANY ALTERATION/ REVISION ON THE PLANS/ DRAWINGS AND SPECIFICATIONS IMPROVED BY THE AUTHORIZED SUPERVISING ENGINEER DONE WITHOUT THEIR KNOWLEDGE THAT MAY IMPAIR THE STRENGTH OF THE PROJECT.

 CALAMBA WATER DISTRICT ENGINEERING DEPARTMENT PLANNING AND DESIGN DIVISION LAKEVIEW SUBD., HALANG, CALAMBA CITY	PROJECT TITLE:	DRAWN BY: A. L. DEL PRADO	SHEET CONTENTS:	DATE: 03/30/2020
	PROPOSED RENOVATION OF PUMPING STATION	DESIGNED BY: A. L. DEL PRADO	AS SHOWN	SHEET NO.
LOCATION: VILLA DE CALAMBA , CALAMBA CITY	RECOMMENDED BY: ENGR. J. A. GILLERA	S-1		
	APPROVED BY: MR. E. A. AGUILAR			

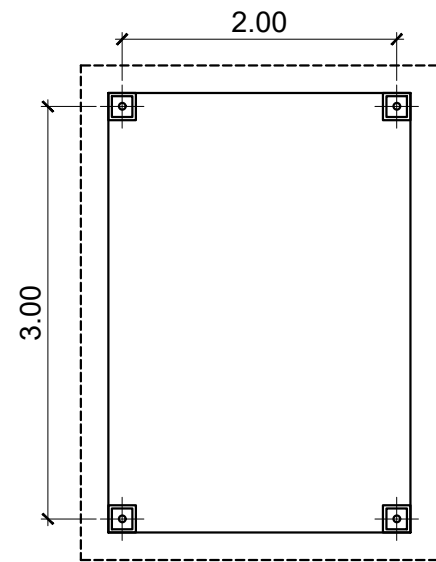
This design or drawing is the sole property of Calamba Water District. No part of this design or drawing may be reproduced or transmitted in any form or by any means without the written consent of its owner.



NOTES:
1. ALL SIZES AND LOCATIONS ARE SUBJECT TO CHANGE TO SUIT FIELD CONDITIONS.
2. THE DESIGNER SHALL NOT BE LIABLE FOR ANY ALTERATION/ REVISION ON THE PLANS/ DRAWINGS AND SPECIFICATIONS IMPROVED BY THE AUTHORIZED SUPERVISING ENGINEER DONE WITHOUT THEIR KNOWLEDGE THAT MAY IMPAIR THE STRENGTH OF THE PROJECT.

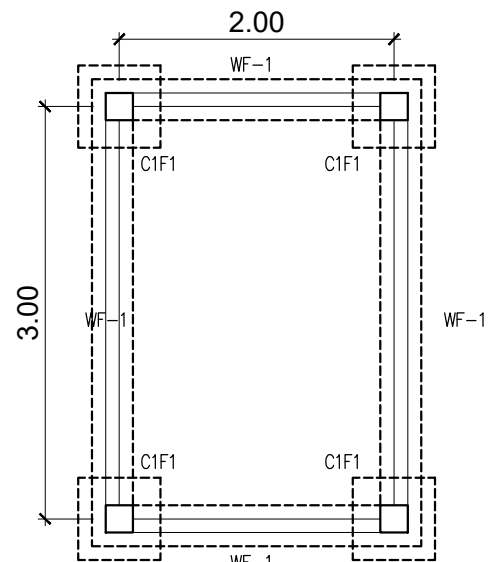
 CALAMBA WATER DISTRICT ENGINEERING DEPARTMENT PLANNING AND DESIGN DIVISION LAKEVIEW SUBD., HALANG, CALAMBA CITY	PROJECT TITLE:	DRAWN BY: A. L. DEL PRADO	SHEET CONTENTS:	DATE: 03/30/2020
	PROPOSED RENOVATION OF PUMPING STATION	DESIGNED BY: A. L. DEL PRADO	AS SHOWN	SHEET NO.
LOCATION: VILLA DE CALAMBA, CALAMBA CITY	RECOMMENDED BY: ENGR. J. A. GILLERA	APPROVED BY: MR. E. A. AGUILAR		S-2

TYPICAL UV ENCLOSURE



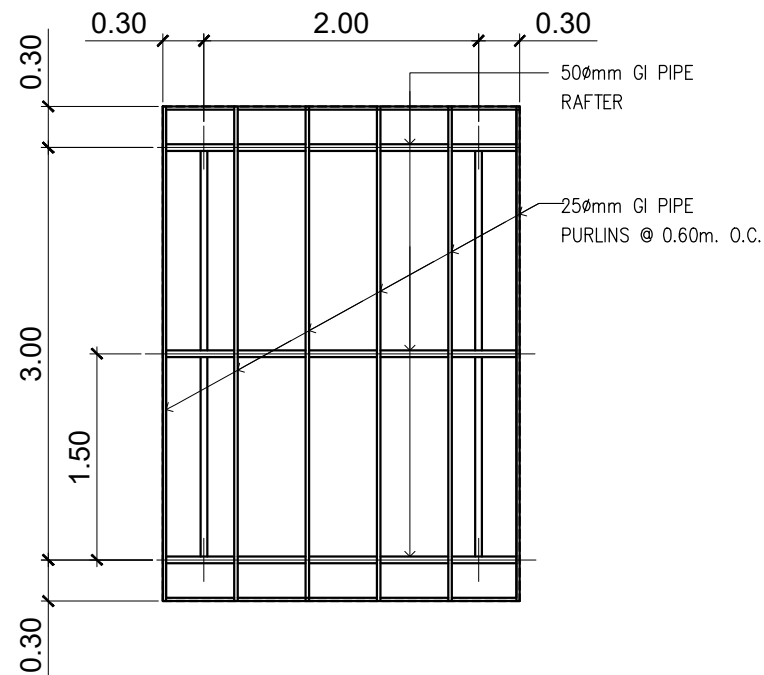
FLOOR PLAN

SCALE 1:50 m.



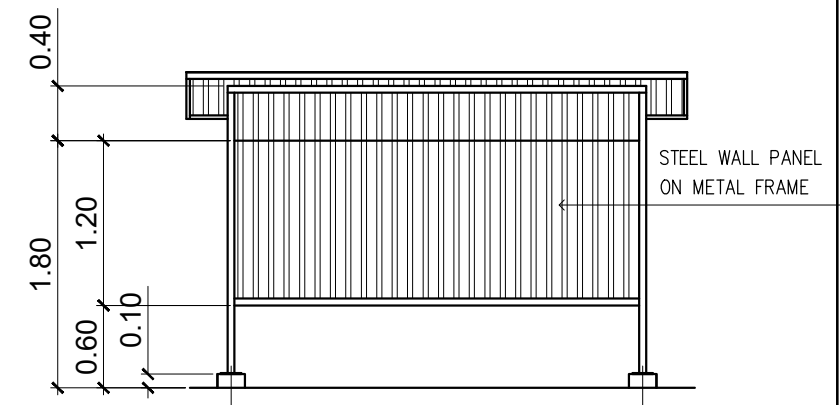
FOUNDATION PLAN

SCALE 1:50 m.



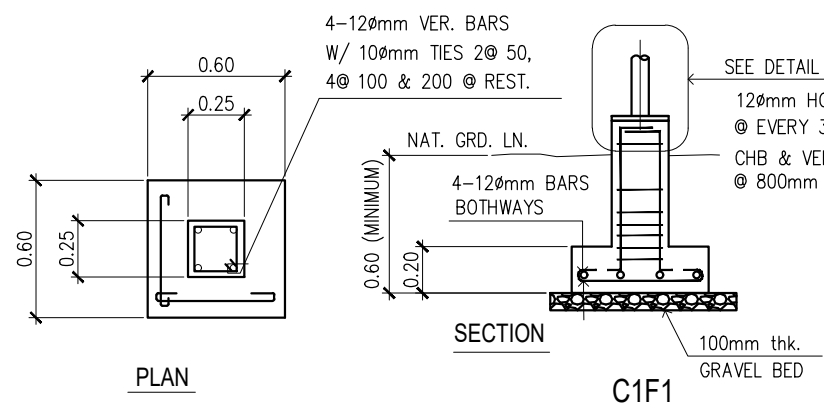
ROOF FRAMING PLAN

SCALE 1:50 m.



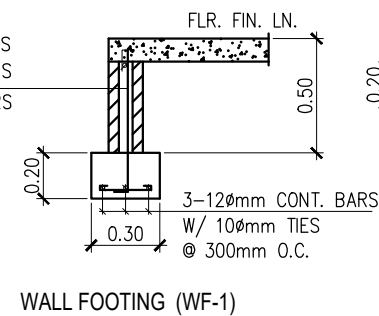
FRONT ELEVATION

SCALE 1:50 m.

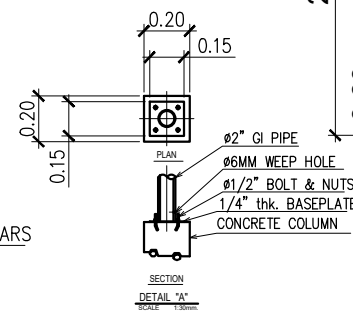


DETAIL OF FOOTINGS

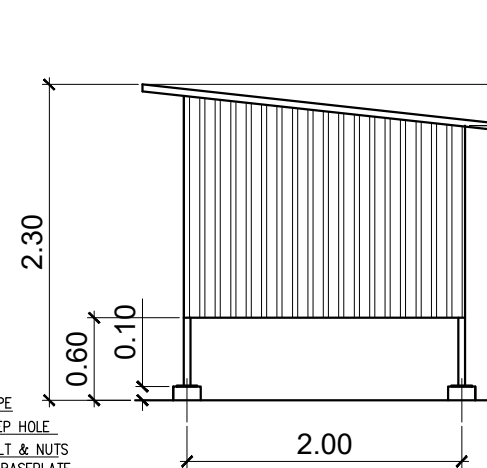
SCALE: 1:30 M.



WALL FOOTING (WF-1)

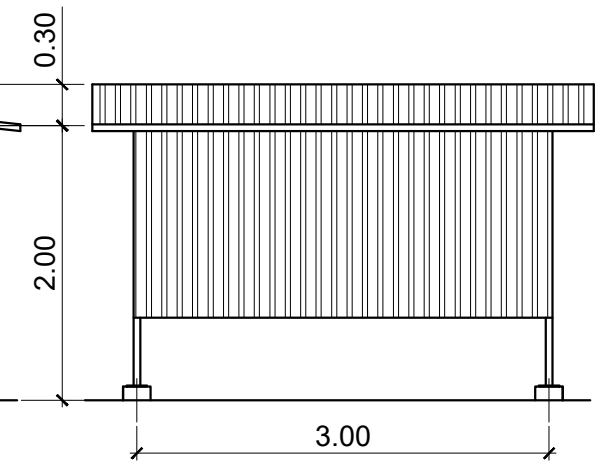


DETAIL "A"



SIDE ELEVATION

SCALE 1:50 m.



REAR ELEVATION

SCALE 1:50 m.

This design or drawing is the sole property of Calamba Water District. No part of this design or drawing may be reproduced or transmitted in any form or by any means without the written consent of its owner.

- NOTES:
1. ALL SIZES AND LOCATIONS ARE SUBJECT TO CHANGE TO SUIT FIELD CONDITIONS.
 2. THE DESIGNER SHALL NOT BE LIABLE FOR ANY ALTERATION/ REVISION ON THE PLANS/ DRAWINGS AND SPECIFICATIONS IMPROVED BY THE AUTHORIZED SUPERVISING ENGINEER DONE WITHOUT THEIR KNOWLEDGE THAT MAY IMPAIR THE STRENGTH OF THE PROJECT.



CALAMBA WATER DISTRICT
ENGINEERING DEPARTMENT
PLANNING AND DESIGN DIVISION

LAKEVIEW SUBD., HALANG, CALAMBA CITY

PROJECT TITLE:

PROPOSED RENOVATION OF
PUMPING STATION

LOCATION: VILLA DE CALAMBA , CALAMBA CITY

DRAWN BY: A. L. DEL PRADO

DESIGNED BY: A. L. DEL PRADO

RECOMMENDED BY: ENGR. J. A. GILLERA

APPROVED BY: MR. E. A. AGUILAR

SHEET CONTENTS:

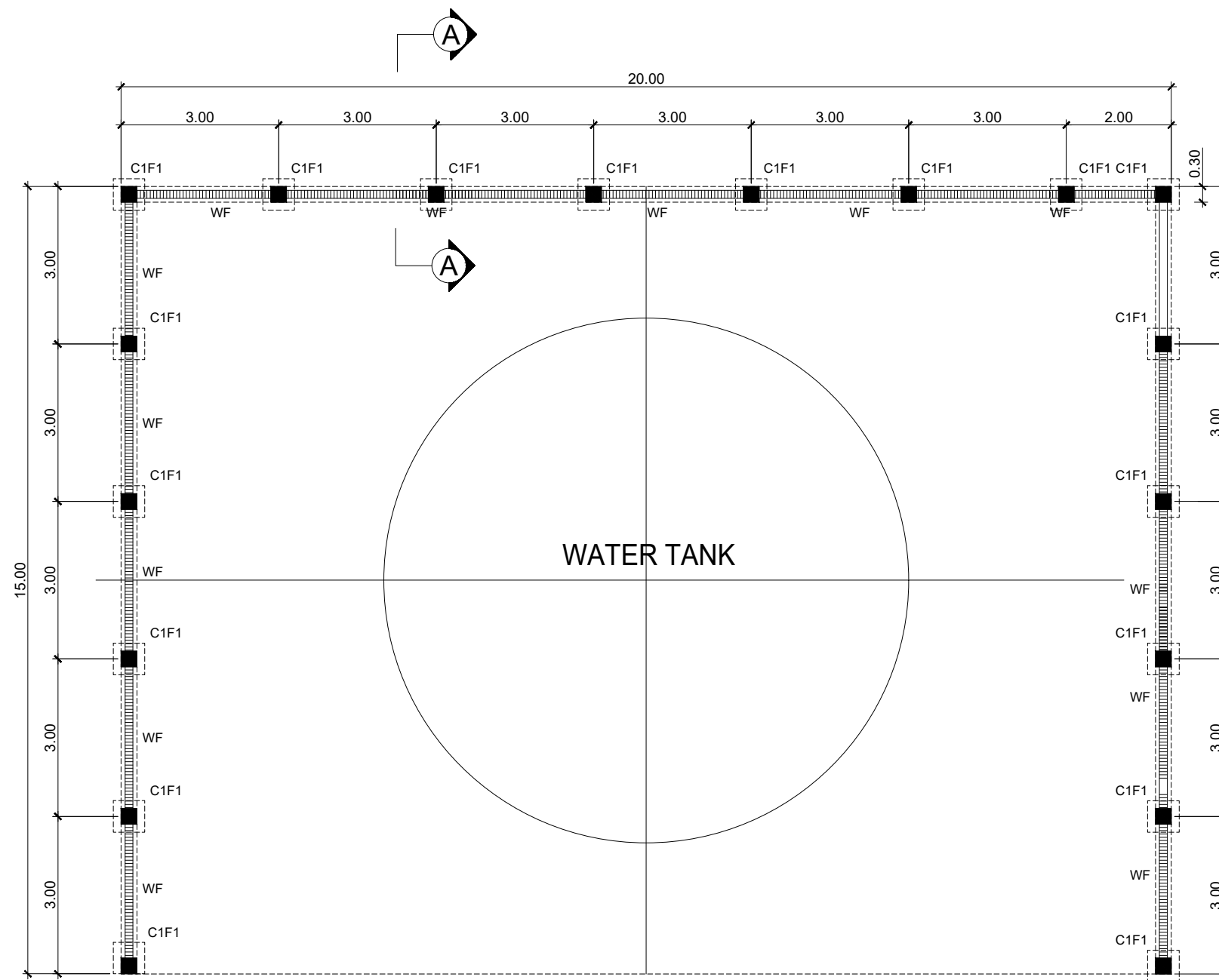
AS SHOWN

DATE: 03/30/2020

SHEET NO.

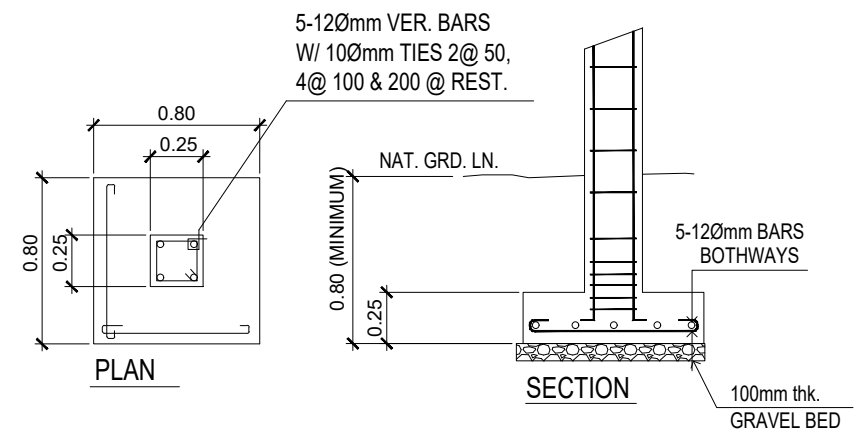
S-3

This design or drawing is the sole property of Calamba Water District. No part of this design or drawing may be reproduced or transmitted in any form or by any means without the written consent of its owner.

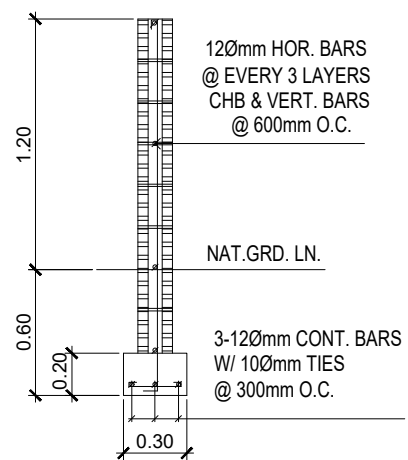


FOUNDATION PLAN
SCALE 1:50 m.

- NOTES:
1. ALL SIZES AND LOCATIONS ARE SUBJECT TO CHANGE TO SUIT FIELD CONDITIONS.
 2. THE DESIGNER SHALL NOT BE LIABLE FOR ANY ALTERATION/ REVISION ON THE PLANS/ DRAWINGS AND SPECIFICATIONS IMPROVED BY THE AUTHORIZED SUPERVISING ENGINEER DONE WITHOUT THEIR KNOWLEDGE THAT MAY IMPAIR THE STRENGTH OF THE PROJECT.



F1C1
WALL FOOTING (WF-1)
DETAIL OF FOOTINGS
SCALE: 1:30 M.



CALAMBA WATER DISTRICT
ENGINEERING DEPARTMENT
PLANNING AND DESIGN DIVISION

LAKEVIEW SUBD., HALANG, CALAMBA CITY

PROJECT TITLE:
PROPOSED PERIMETER FENCE OF WATER TANK

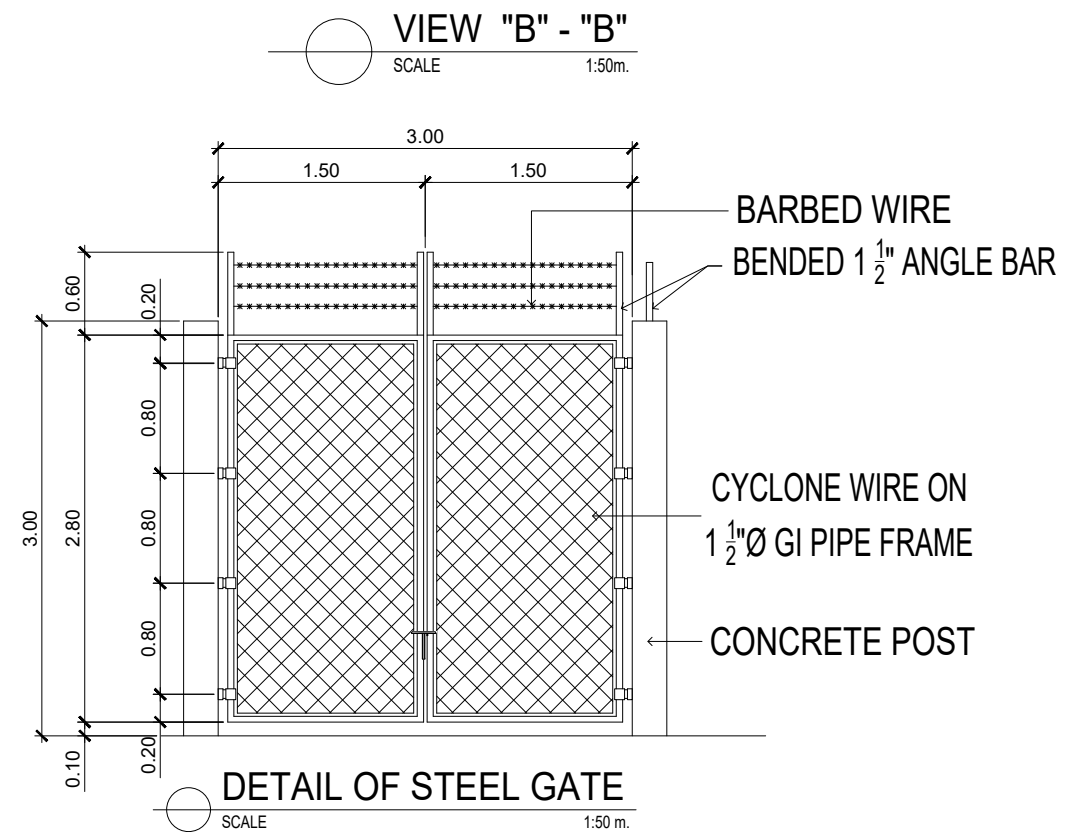
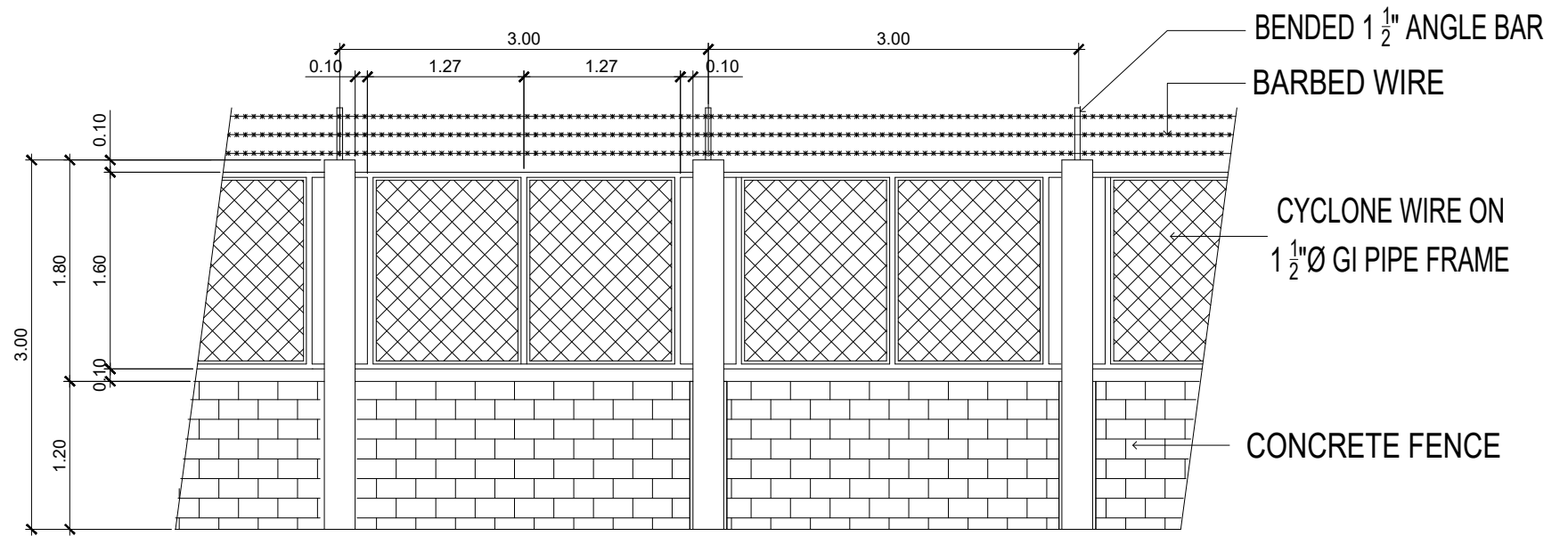
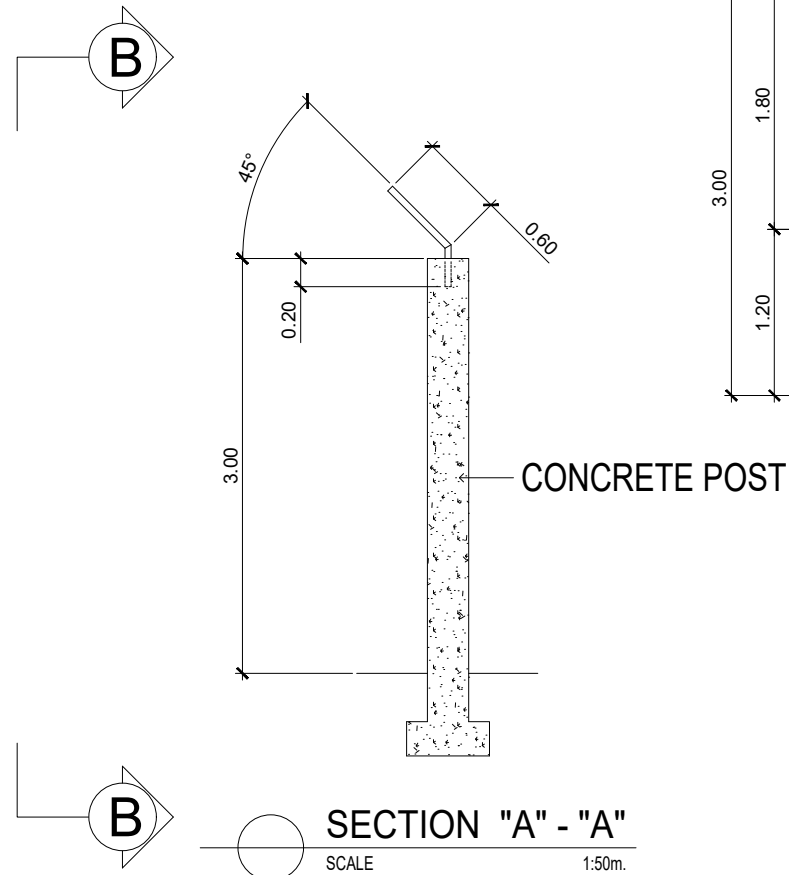
LOCATION: Villa de Calamba, Calamba City, Laguna

DRAWN BY: A. L. DEL PRADO
DESIGNED BY: A. L. DEL PRADO
RECOMMENDED BY: ENGR. J. A. GILLERA
APPROVED BY: MR. E. A. AGUILAR JR.

SHEET CONTENTS:
AS SHOWN

DATE: 07/16/2021
SHEET NO.
S-1

This design or drawing is the sole property of Calamba Water District. No part of this design or drawing may be reproduced or transmitted in any form or by any means without the written consent of its owner.



NOTES:
 1. ALL SIZES AND LOCATIONS ARE SUBJECT TO CHANGE TO SUIT FIELD CONDITIONS.
 2. THE DESIGNER SHALL NOT BE LIABLE FOR ANY ALTERATION/ REVISION ON THE PLANS/ DRAWINGS AND SPECIFICATIONS IMPROVED BY THE AUTHORIZED SUPERVISING ENGINEER DONE WITHOUT THEIR KNOWLEDGE THAT MAY IMPAIR THE STRENGTH OF THE PROJECT.



CALAMBA WATER DISTRICT
 ENGINEERING DEPARTMENT
 PLANNING AND DESIGN DIVISION

LAKEVIEW SUBD., HALANG, CALAMBA CITY

PROJECT TITLE:
PROPOSED PERIMETER FENCE OF WATER TANK

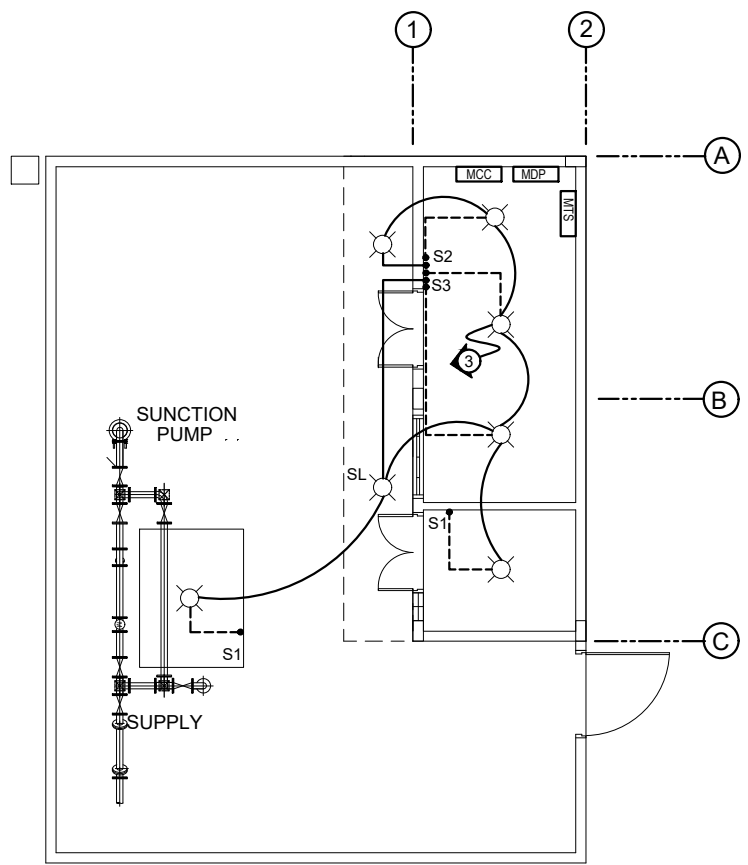
LOCATION: Villa de Calamba, Calamba City, Laguna

DRAWN BY: A. L. DEL PRADO
 DESIGNED BY: A. L. DEL PRADO
 RECOMMENDED BY: ENGR. J. A. GILLERA
 APPROVED BY: MR. E. A. AGUILAR JR.

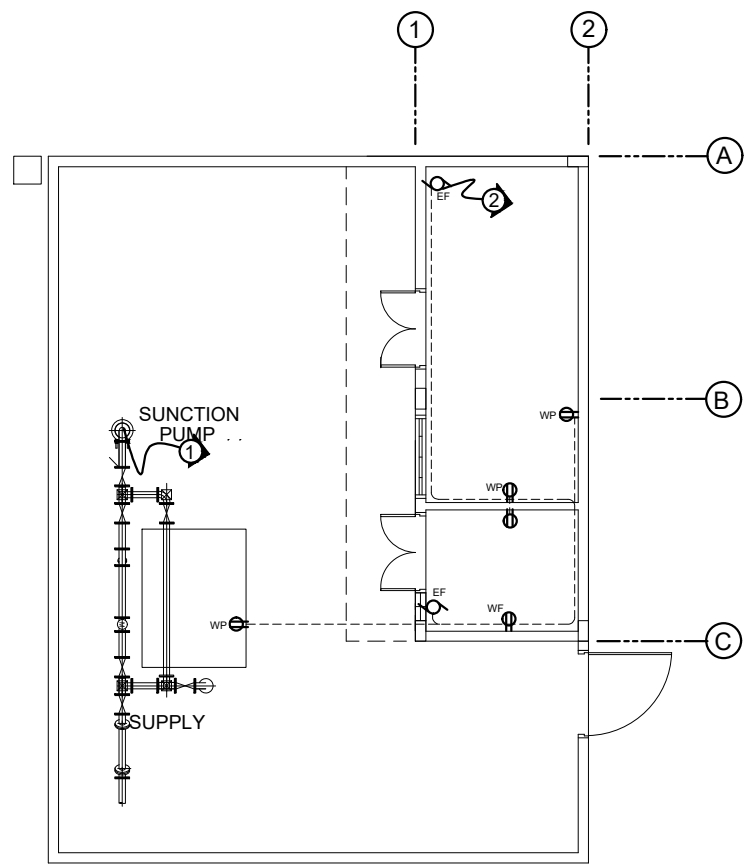
SHEET CONTENTS:
 AS SHOWN

DATE: 07/16/2021
 SHEET NO.
S-2

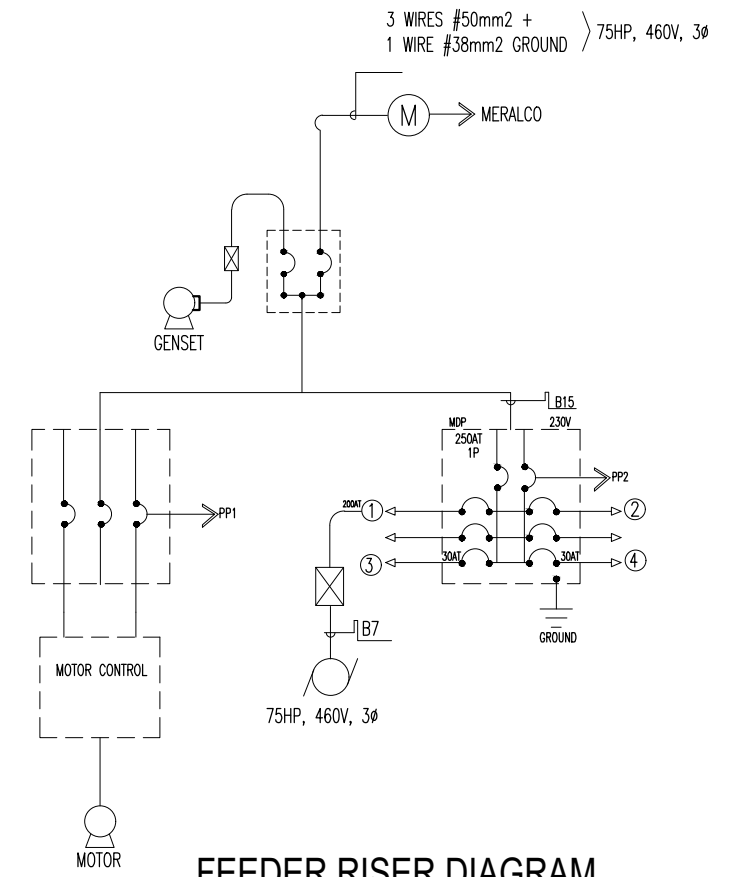
This design or drawing is the sole property of Calamba Water District. No part of this design or drawing may be reproduced or transmitted in any form or by any means without the written consent of its owner.



LIGHTING LAYOUT



POWER LAYOUT



FEEDER RISER DIAGRAM

ELECTRICAL LAYOUT
SCALE 1:100m.

SCHEDULE OF LOADS						
CKT. NO.	LOAD DESCRIPTION	WATTS	VOLTS	BREAKER	SIZE OF WIRES	CONDUITS
1	30Hp Submersible motor	22371	230	2P,100A,230V.	3-38mm ϕ + 14mm 2 (G) THHN Cable	20mm ϕ PVC PIPE
2	5-Convenience Outlet & 2-Exhaust Fan	1100	230	2P,20A,230V.	2-3.5mm 2 THHN	20mm ϕ PVC PIPE
3	5-100w Lighting Outlet 1-500w Spotlight Outlet	1000	230	2P,15A,230V.	2-2.0mm 2 THHN	20mm ϕ PVC PIPE
4	SPARE					
TOTAL		24271	230	2P,110A,230V.	5.5mm 2 THHN	25mm ϕ PVC PIPE

$A = \frac{24271 \times 0.8}{230} = 84.42 \times 1.25$
 $A = 105.53$ (USE 2-5.5mm THHN & 3.5mm THHN GROUNDING IN 25mm ϕ PVC PIPE)

NOTES:
 1. ALL SIZES AND LOCATIONS ARE SUBJECT TO CHANGE TO SUIT FIELD CONDITIONS.
 2. THE DESIGNER SHALL NOT BE LIABLE FOR ANY ALTERATION/ REVISION ON THE PLANS/ DRAWINGS AND SPECIFICATIONS IMPROVED BY THE AUTHORIZED SUPERVISING ENGINEER DONE WITHOUT THEIR KNOWLEDGE THAT MAY IMPAIR THE STRENGTH OF THE PROJECT.

 CALAMBA WATER DISTRICT ENGINEERING DEPARTMENT PLANNING AND DESIGN DIVISION LAKEVIEW SUBD., HALANG, CALAMBA CITY	PROJECT TITLE:	DRAWN BY: A. L. DEL PRADO	SHEET CONTENTS:	DATE: 03/30/2020
	PROPOSED RENOVATION OF PUMPING STATION	DESIGNED BY: A. L. DEL PRADO	AS SHOWN	SHEET NO.
		RECOMMENDED BY: ENGR. J. A. GILLERA		E-1
LOCATION: VILLA DE CALAMBA, CALAMBA CITY	APPROVED BY: MR. E. A. AGUILAR			